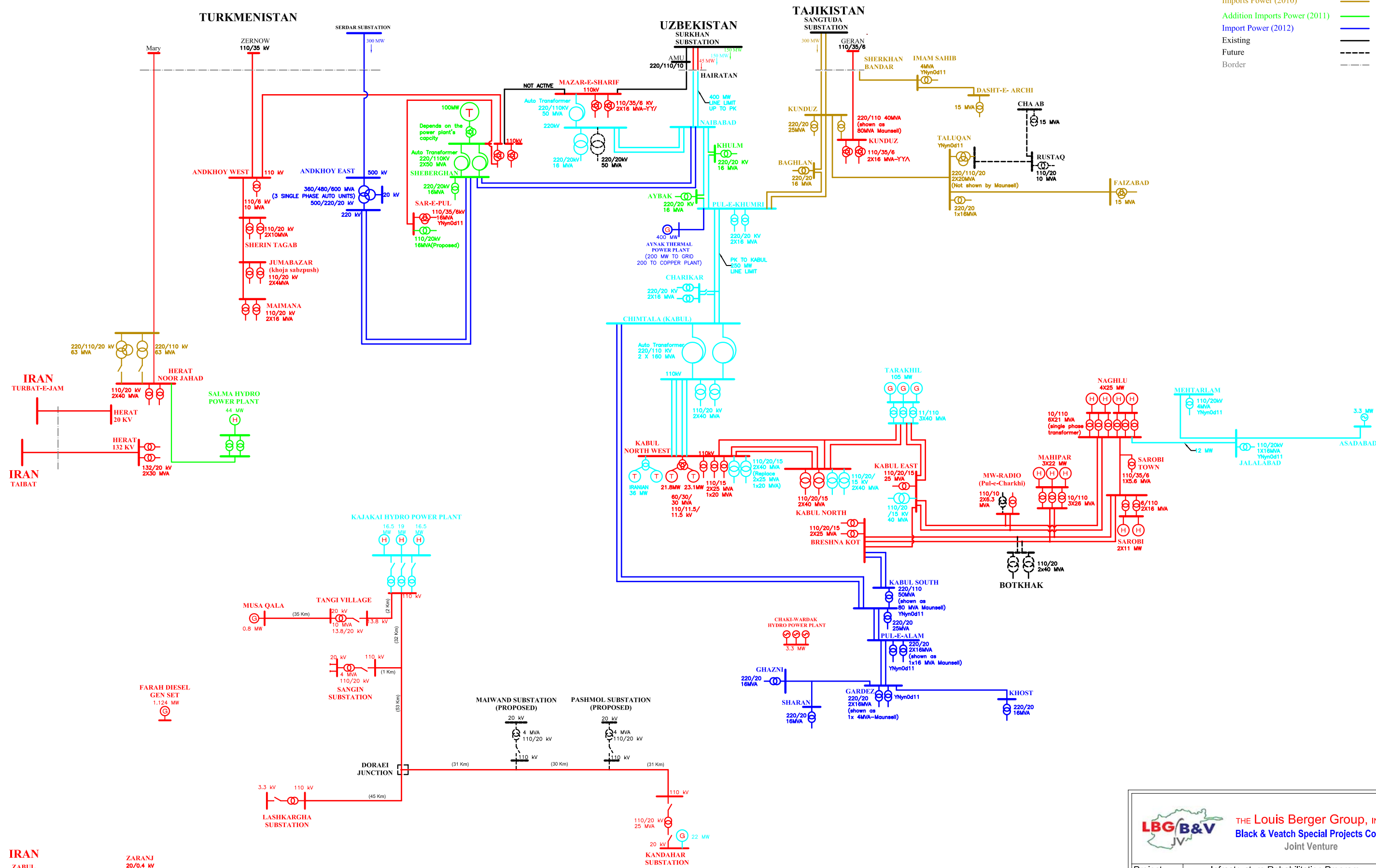



AFGHANISTAN POWER GENERATION & IMPORTS 2008-2012

Time Guide

- Imported Power (2008) —
- Addition Imports Power (2009) —
- Imports Power (2010) —
- Addition Imports Power (2011) —
- Import Power (2012) —
- Existing —
- Future - - -
- Border - - -





THE Louis Berger Group, Inc.
Black & Veatch Special Projects Corp.
Joint Venture

Project:	Infrastructure Rehabilitation Program
Title:	Generation & Imports Power 2008-2012
Drawn:	Mahfooz Naweid Senior Auto CAD Drafter
Dwg No.:	
Date:	January 11, 2009 Scale: NTS